



Rugged, Versatile, Compact Cranes of Unique Capability

## We offer:

- Mobile Crane Hire
- Contract Lifting
- Specialist Transport
- Machinery Removals & Installation
- Mini Crawler Cranes
- CPCS Training Centre



## Weights



Axle	1	2	Total weight (t)
Tons	12	12	24*

\* with 1.5t counterweight




## Lifting Capacity







Load (t)	No. of sheaves	No. of lines	Weight (kg)
35	5	10	265
22.4	3	7	165
10	1	3	145
3.3	-	1	75

## Working Speeds

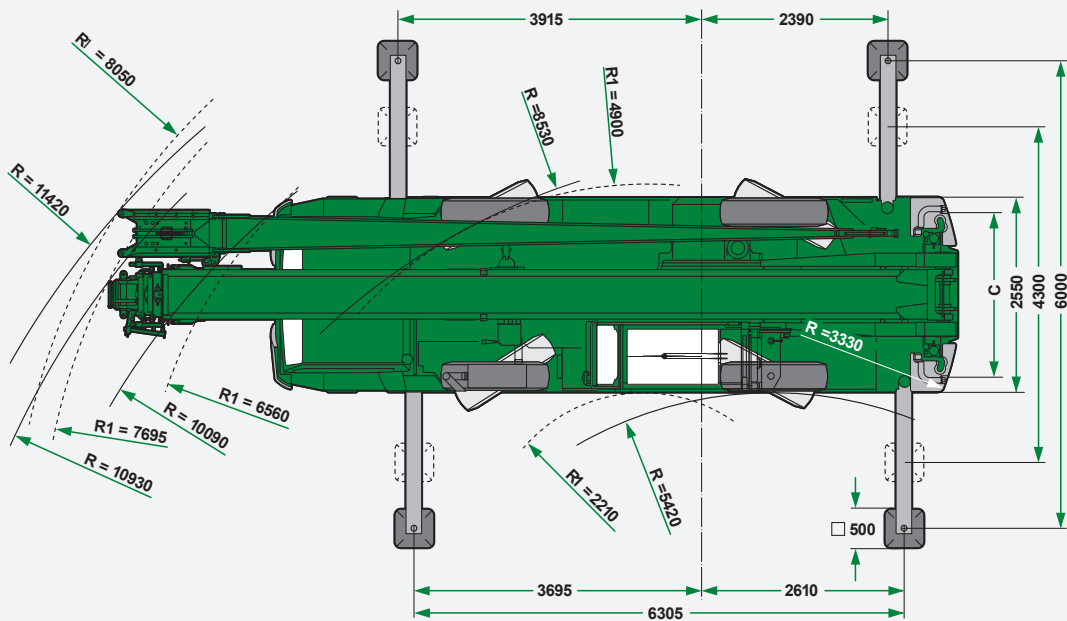
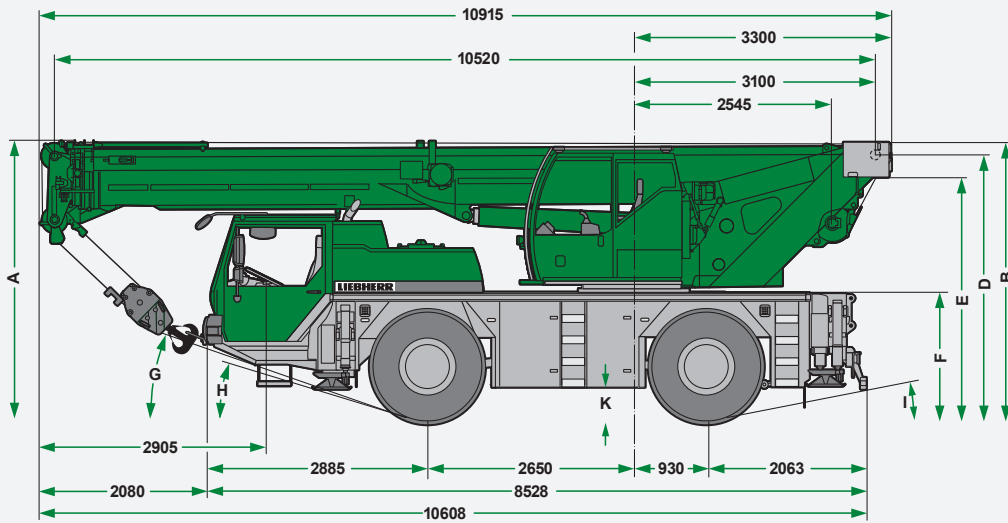


	1	2	3	4	5	6	R1	R2	1	2	3	4	5	6	R1	R2
 (km/h)	9.5	14.5	23	36	56	80	9.5	23	10.5	16	25.5	39	61	80	10.5	25.5
	> 60%								60%							
	14.00 R 25 (385/95 R 25)								16.00 R 25 (445/95 R 25)							




Drive	Infinitely variable	Rope diameter / length	Max. single line pull
	0 - 120 m/min single line	13 mm / 165 m	34 kN
	0 - 2.5 min <sup>-1</sup>		
	Approx. 45 seconds to reach 81° boom angle		
	Approx. 65 seconds for boom extension from 10.5 m - 35 m		

## Dimensions

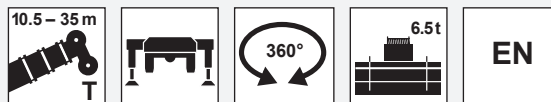


All wheel steering

	Dimensions (mm)										
	A	A 100mm*	B	C	D	E	F	G	H	I	K
14.00 R 25 (385/95 R 25)	3550	3450	3550	2113	3369	3074	1598	18°	16°	11°	375
16.00 R 25 (445/95 R 25)	3600	3500	3600	2101	3419	3124	1648	19°	17°	12°	425

\* lowered

## Lifting Capacities T



m	10.5m		15.4m		20.3m		25.2m		30.1m		32.6m		35m	
	*			**		**		**		**		**		**
2.5	40													
3	35.4	30.6	19.7	15.4										
3.5	32.9	28.2	20.2	15.5	17.5	13.1								
4	29.8	25.6	20.6	15.6	18	13	15.1	10.4						
4.5	26.7	23.5	21.2	15.9	18.3	13	14.8	10.3	10.7	7.5				
5	24.3	21.6	21.3	16.1	18.8	12.8	14.3	10.2	10.6	7.4	9	5.6		
6	20	18.5	18.8	16.4	18.7	12.5	13.3	10	10.2	7.2	8.8	5.4	7.4	3.7
7	15.6	15.4	15.7	15.6	15.3	12.4	12.4	9.9	9.6	7	8.5	5.2	7.2	3.5
8			13	13	12.8	12.3	11.5	9.7	8.9	6.8	8.1	5	6.9	3.3
9			10.7	10.7	10.8	10.8	10.4	9.2	8.4	6.5	7.7	4.8	6.6	2.8
10			9	9	9.1	9.1	9.1	8.9	7.9	6	7.3	4.6	6.3	2.6
11			7.7	7.7	7.8	7.8	7.9	7.9	7.4	5.8	6.9	4.5	6.1	2.5
12			6.7	6.7	6.8	6.8	6.9	6.9	6.9	5.7	6.5	4.3	5.8	2.4
13					6	6	6.1	6.1	6.1	5.6	6.1	4.2	5.6	2.3
14					5.3	5.3	5.4	5.4	5.4	5.3	5.5	4.1	5.4	2.2
15					4.7	4.7	4.8	4.8	4.9	4.9	4.9	3.9	4.9	2.1
16					4.3	4.3	4.3	4.3	4.4	4.4	4.4	3.8	4.4	2
17					3.8	3.8	3.9	3.9	3.9	3.9	4	3.7	4	1.9
18							3.5	3.5	3.6	3.6	3.6	3.6	3.6	1.8
19							3.2	3.2	3.3	3.3	3.3	3.3	3.3	1.6
20							2.9	2.9	3	3	3	3	3	1.4
21							2.7	2.7	2.7	2.7	2.7	2.7	2.8	1.2
22							2.5	2.5	2.5	2.5	2.5	2.5	2.5	1.1
23									2.3	2.3	2.3	2.3	2.3	0.9
24									2.1	2.1	2.1	2.1	2.1	0.8
25									1.9	1.9	1.9	1.9	1.9	0.7
26									1.7	1.7	1.7	1.7	1.8	
27									1.5	1.5	1.6	1.6	1.6	
28											1.4	1.4	1.5	
29											1.3	1.3	1.3	
30													1.2	
31													1.1	

\* over rear \*\* telescopable loads

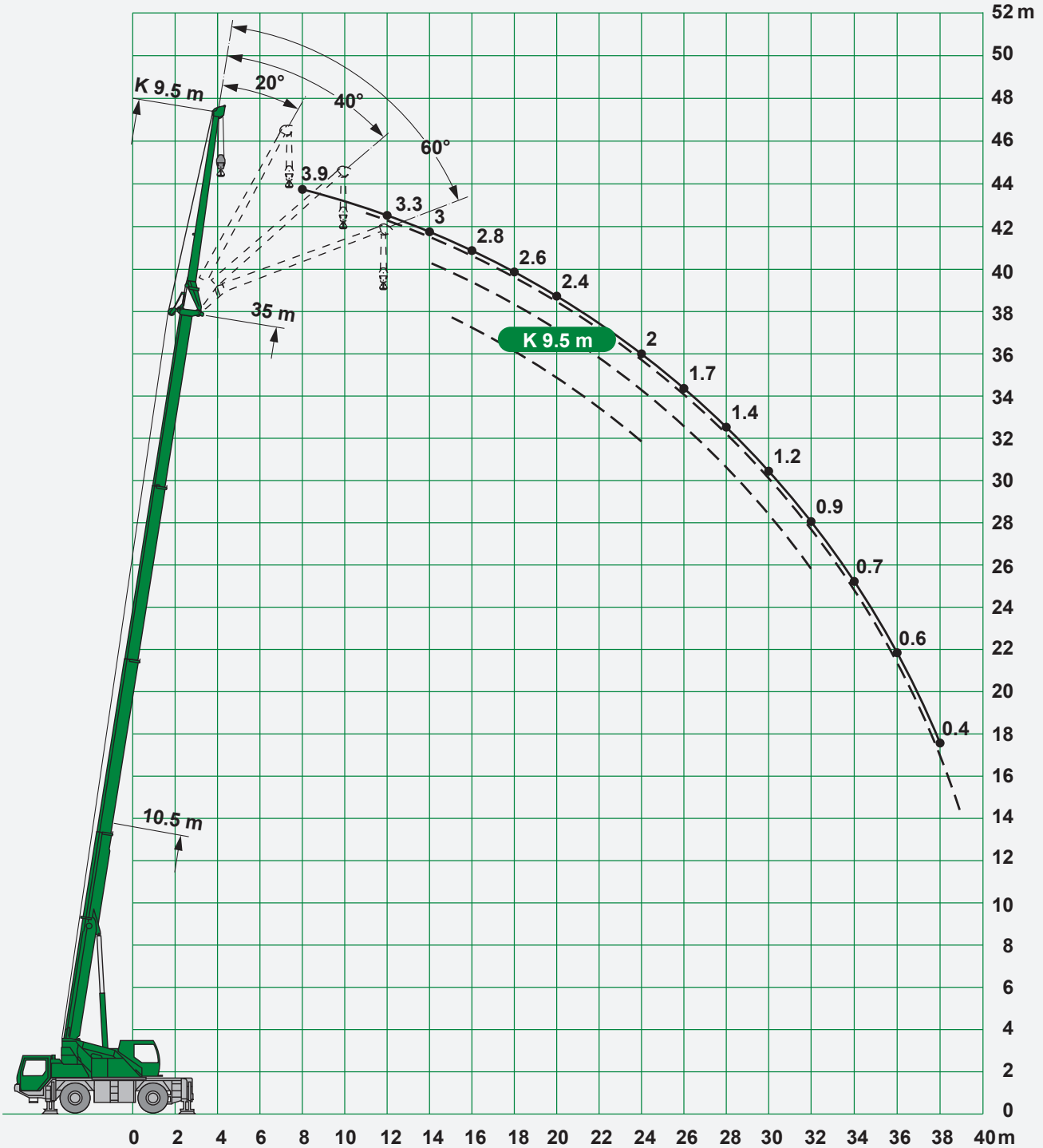
## Lifting Capacities TK



m	32.6m								35m							
	9.5m								9.5m							
	0°	**	20°	**	40°	**	60°	**	0°	**	20°	**	40°	**	60°	**
7	4.4	4.4														
8	4.3	4.2							3.9	2.3						
9	4.2	4							3.8	2.2						
10	4	3.8	3.2	3.1					3.7	2						
11	3.9	3.6	3	3					3.5	1.9	2.8	1.8				
12	3.7	3.5	2.9	2.9					3.3	1.8	2.7	1.7				
13	3.5	3.3	2.8	2.8	2.4	2.4			3.2	1.7	2.6	1.6				
14	3.3	2.9	2.7	2.7	2.3	2.3	2.1	2.1	3	1.6	2.5	1.5	2.2	1.5		
15	3.2	2.7	2.6	2.6	2.2	2.2	2.1	2.1	2.9	1.5	2.5	1.4	2.2	1.4	2	1.4
16	3	2.6	2.5	2.5	2.2	2.2	2.1	2.1	2.8	1.4	2.4	1.4	2.1	1.3	2	1.3
17	2.8	2.5	2.4	2.4	2.1	2.1	2	2	2.7	1.2	2.3	1.3	2.1	1.3	1.9	1.2
18	2.7	2.4	2.3	2.3	2.1	2.1	2	2	2.6	1.1	2.2	1.2	2	1.2	1.9	1.1
19	2.6	2.4	2.2	2.2	2	2	1.9	1.9	2.5	0.9	2.2	1.1	2	1	1.9	1
20	2.5	2.3	2.2	2.2	2	2	1.9	1.9	2.4	0.8	2.1	0.9	1.9	0.9	1.8	0.9
21	2.4	2.2	2.1	2.1	1.9	1.9	1.9	1.9	2.3	0.7	2	0.8	1.9	0.8	1.8	0.8
22	2.3	2.2	2.1	2.1	1.9	1.9	1.9	1.9	2.3	0.5	2	0.7	1.8	0.7	1.8	0.7
23	2.2	2.1	2	2	1.9	1.9	1.8	1.8	2.2	0.4	1.9	0.6	1.8	0.6	1.8	0.6
24	2.1	2	2	2	1.8	1.8			2		1.9	0.5	1.8	0.5	1.7	0.5
25	1.9	1.9	1.9	1.9	1.8	1.8			1.9		1.8		1.7			
26	1.7	1.7	1.9	1.9	1.8	1.8			1.7		1.8		1.7			
27	1.6	1.6	1.8	1.8	1.7	1.7			1.5		1.7		1.7			
28	1.4	1.4	1.6	1.6	1.7	1.7			1.4		1.6		1.6			
29	1.3	1.3	1.5	1.5	1.5	1.5			1.3		1.4		1.5			
30	1.2	1.2	1.3	1.3	1.4	1.4			1.2		1.3		1.4			
31	1.1	1	1.2	1.2	1.3	1.3			1		1.2		1.3			
32	1	0.9	1.1	1.1					0.9		1.1		1.1			
33	0.9	0.8	1	1					0.8		1					
34	0.8	0.7	0.9	0.9					0.7		0.9					
35	0.7	0.6	0.8	0.8					0.6		0.8					
36	0.6	0.5	0.7	0.7					0.6		0.7					
37	0.5								0.5		0.6					
38	0.5								0.4		0.5					
39																

\*\* telescopic loads

## Lifting Heights TK



## Emerson Head Office & Training Centre

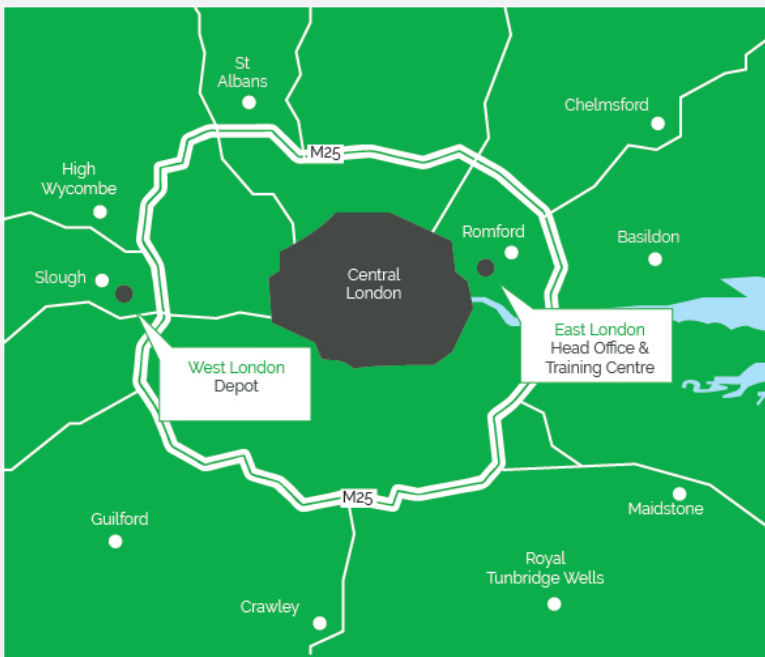


### East London Depot & Training Centre

Emerson Crane Hire  
Freshwater Road Dagenham  
Essex  
RM8 1RX

**Tel :** 020 8548 3900

## Office Locations



### West London Depot

Emerson Crane Hire  
Thorney Lane North Iver  
Bucks  
SL0 9HF

**Tel :** 01753 369 000